

Classic Cartoons

Papercraft by The Webdude

Hanna-Barbera's

Wacky Races



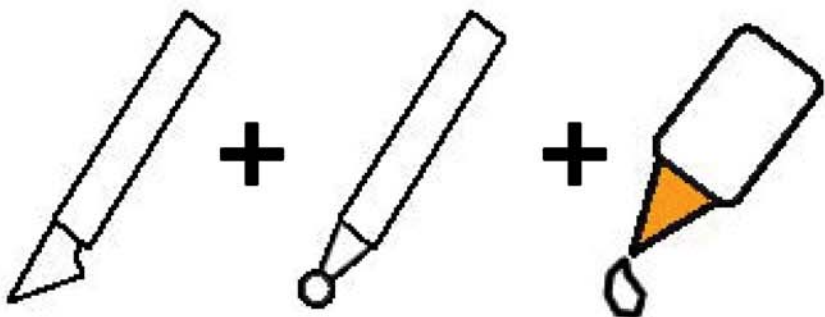
Car 6

The Army Surplus Special

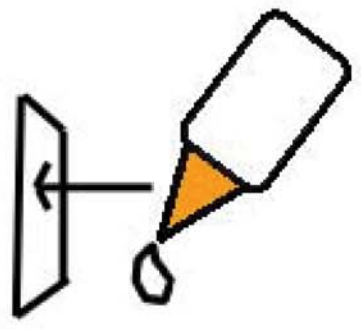
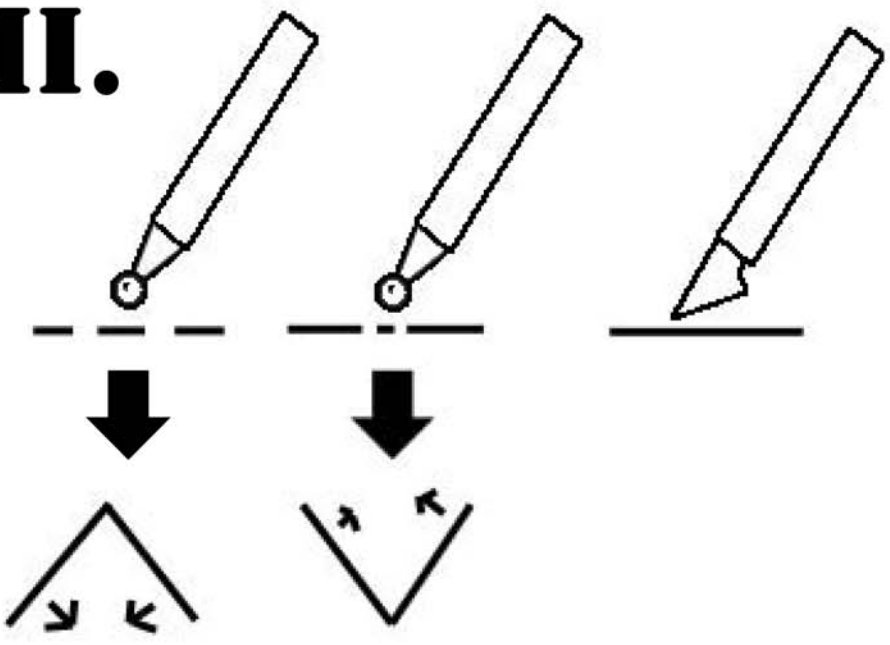
NOT FOR COMMERCIAL USE IN ANY FORM

**ALL TRADEMARKS ARE PROPERTY OF THE RESPECTIVE COPYRIGHT HOLDER(s)
Papercraft Pattern ©2005 Papercraft by The Webdude**

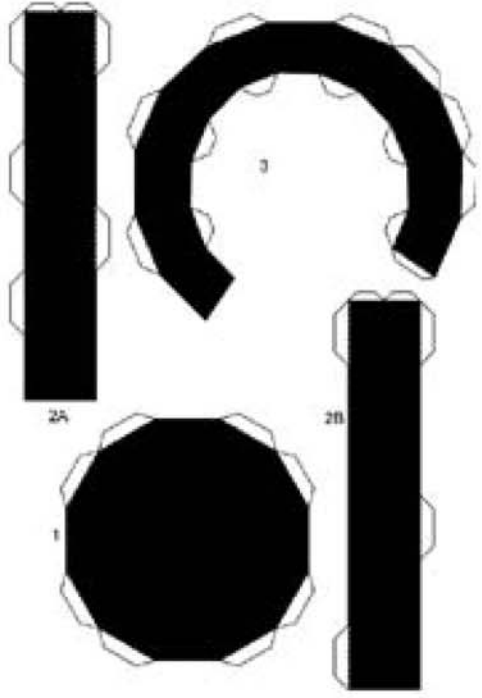
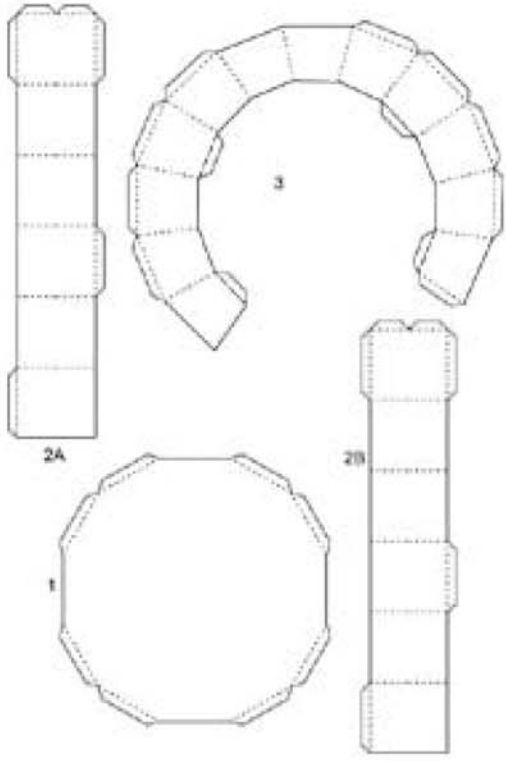
I.

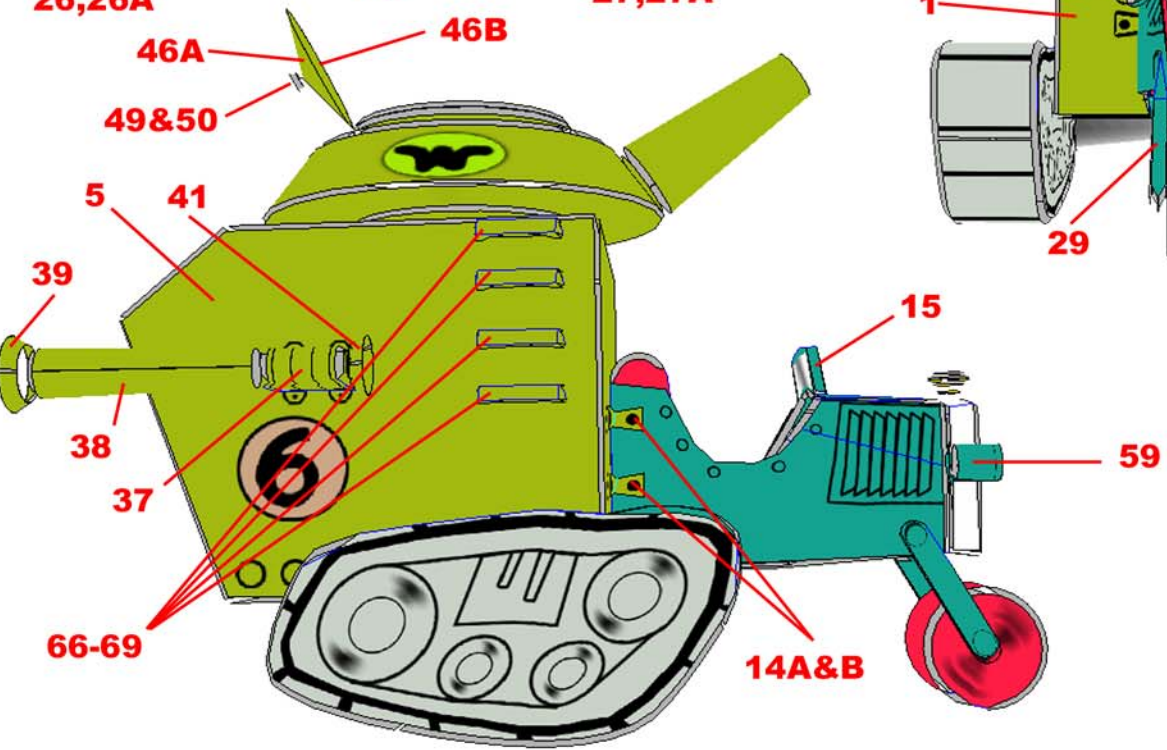
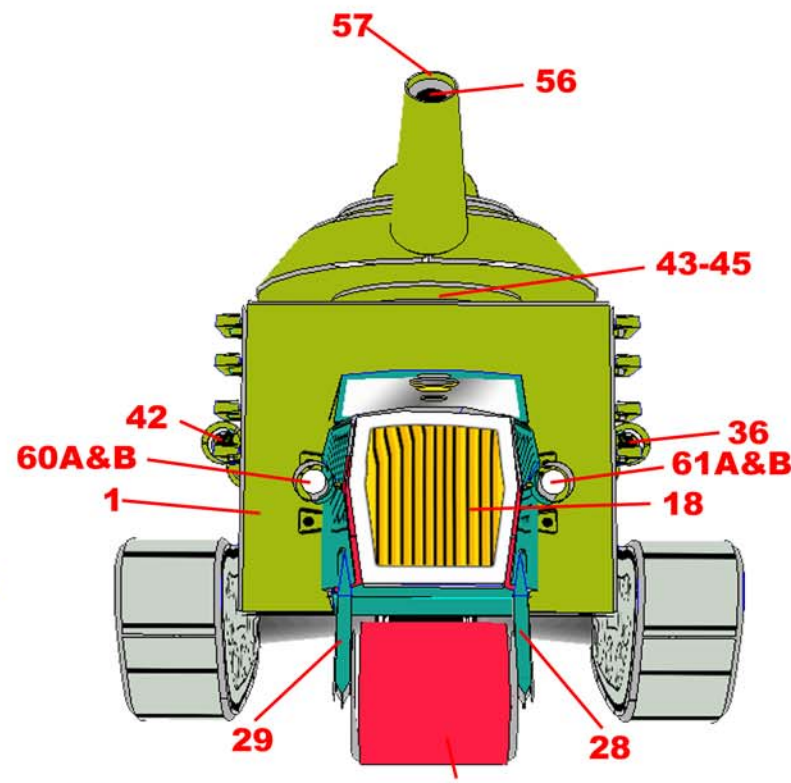
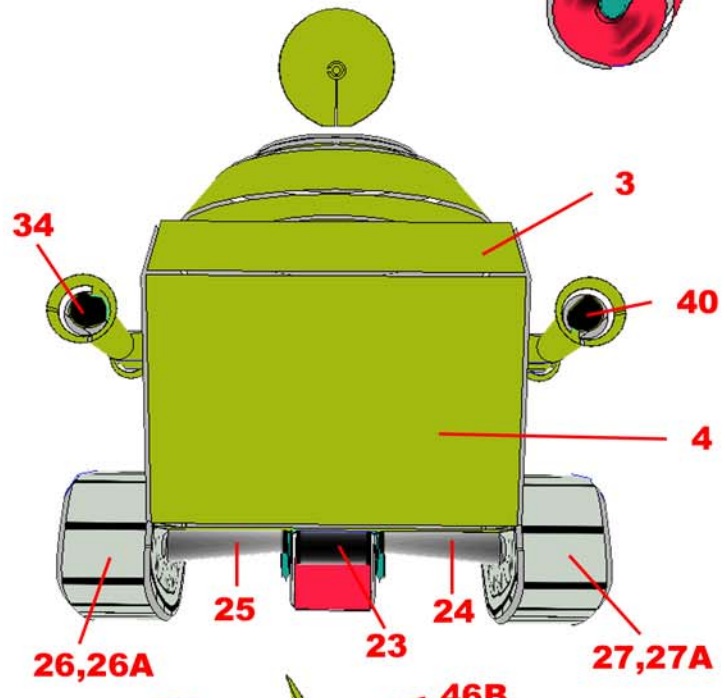
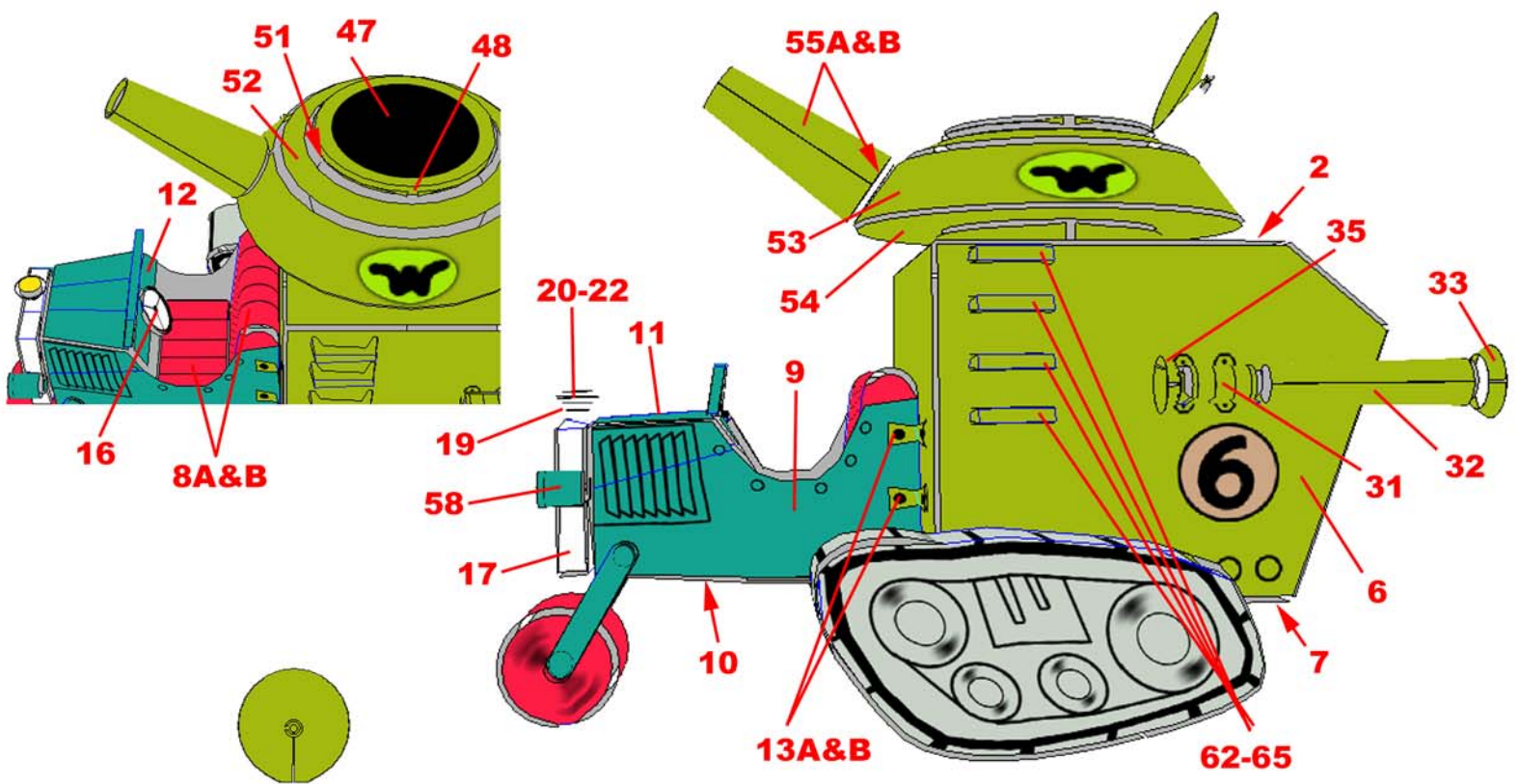


II.



III.



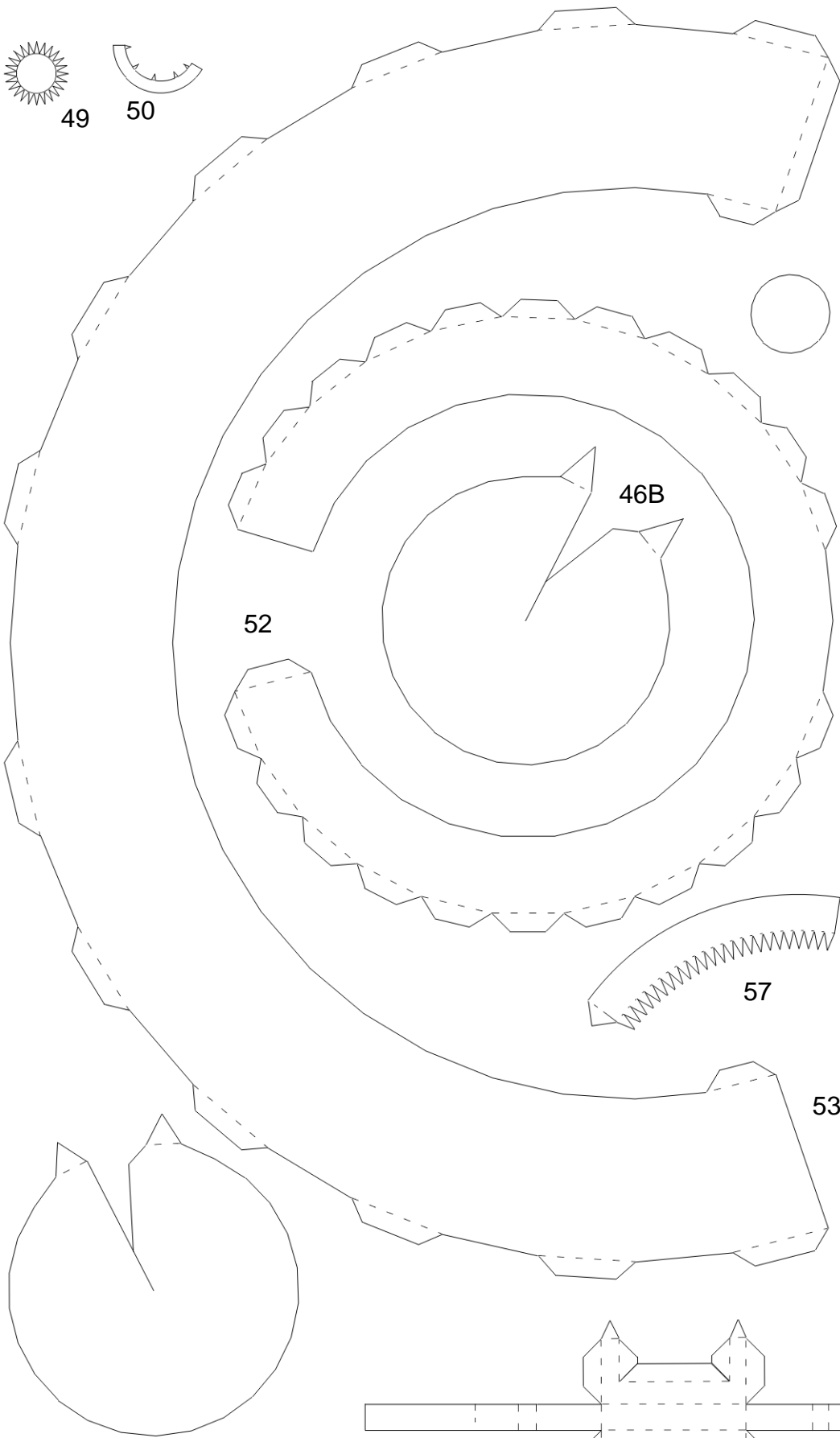




49



50



56

46B

52

48

57

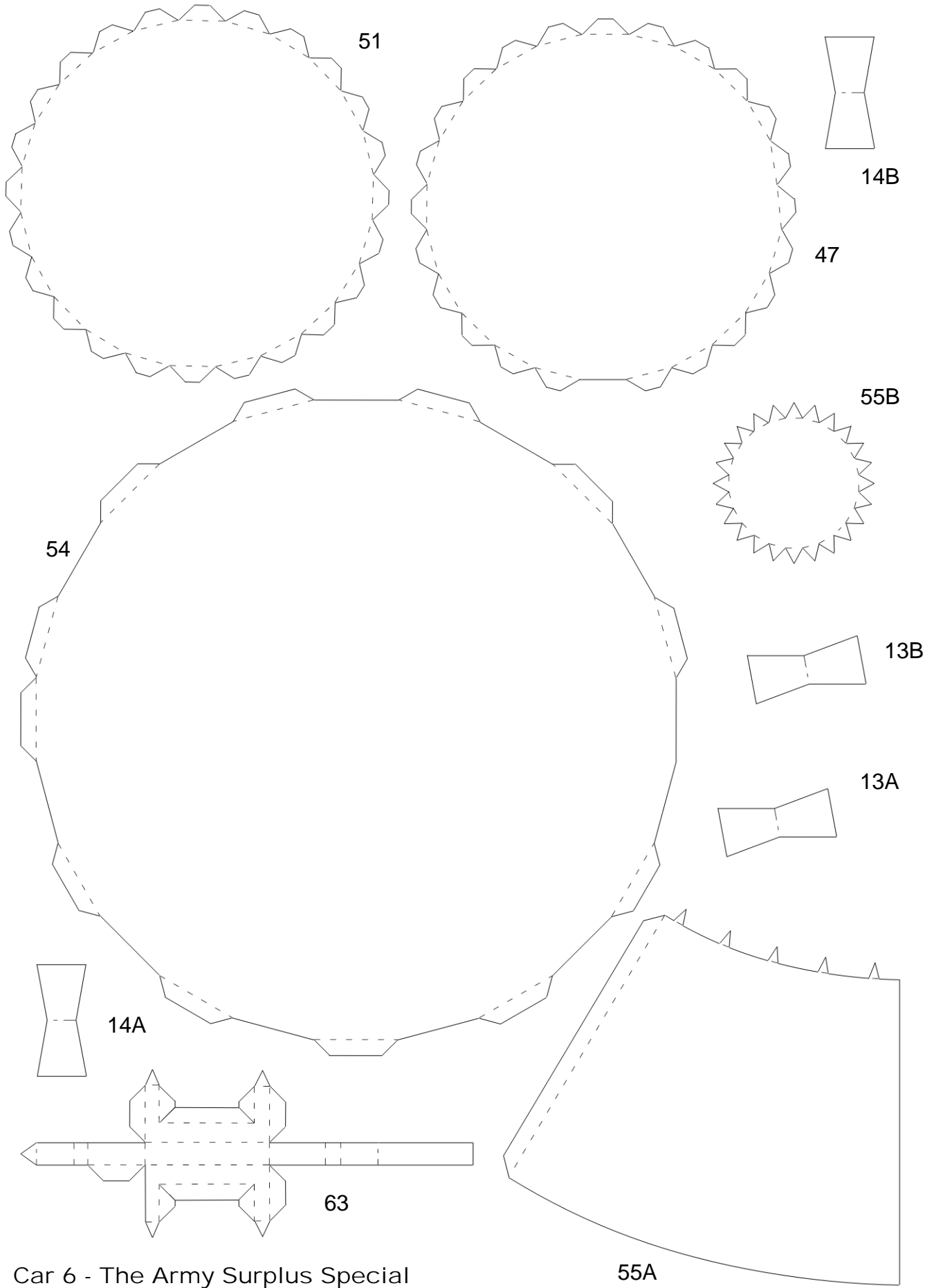
53

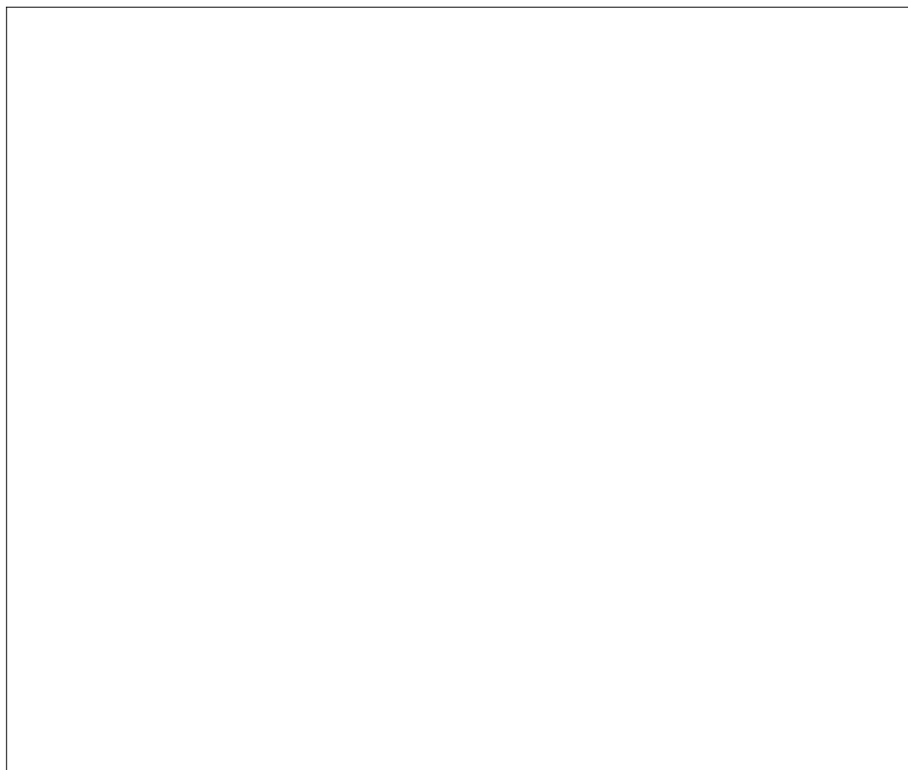
46A

62

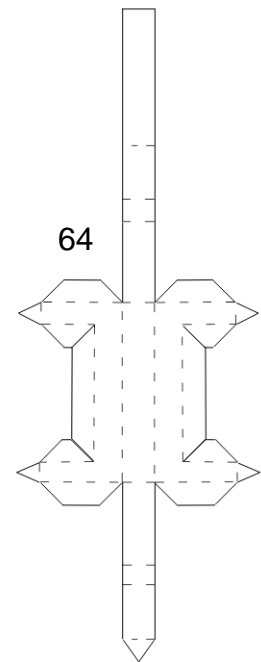
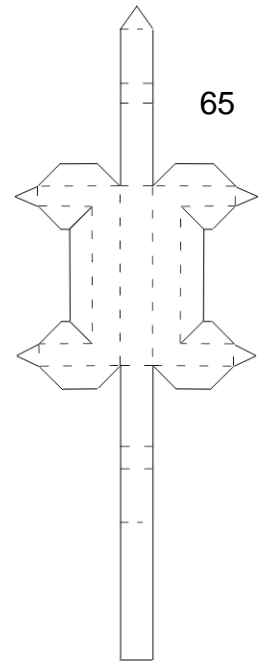
Car 6 - The Army Surplus Special

p1





1



7

Hanna-Barbera's Wacky Races
Car 6 - The Army Surplus Special p3
Papercraft Pattern ©2005
Papercraft by The Webdude
<http://kickme.to/papermodels>
NO COMMERCIAL USE AUTHORIZED



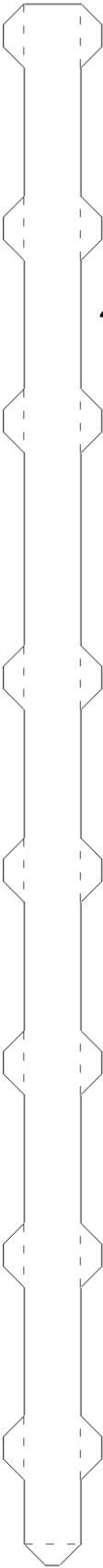
2



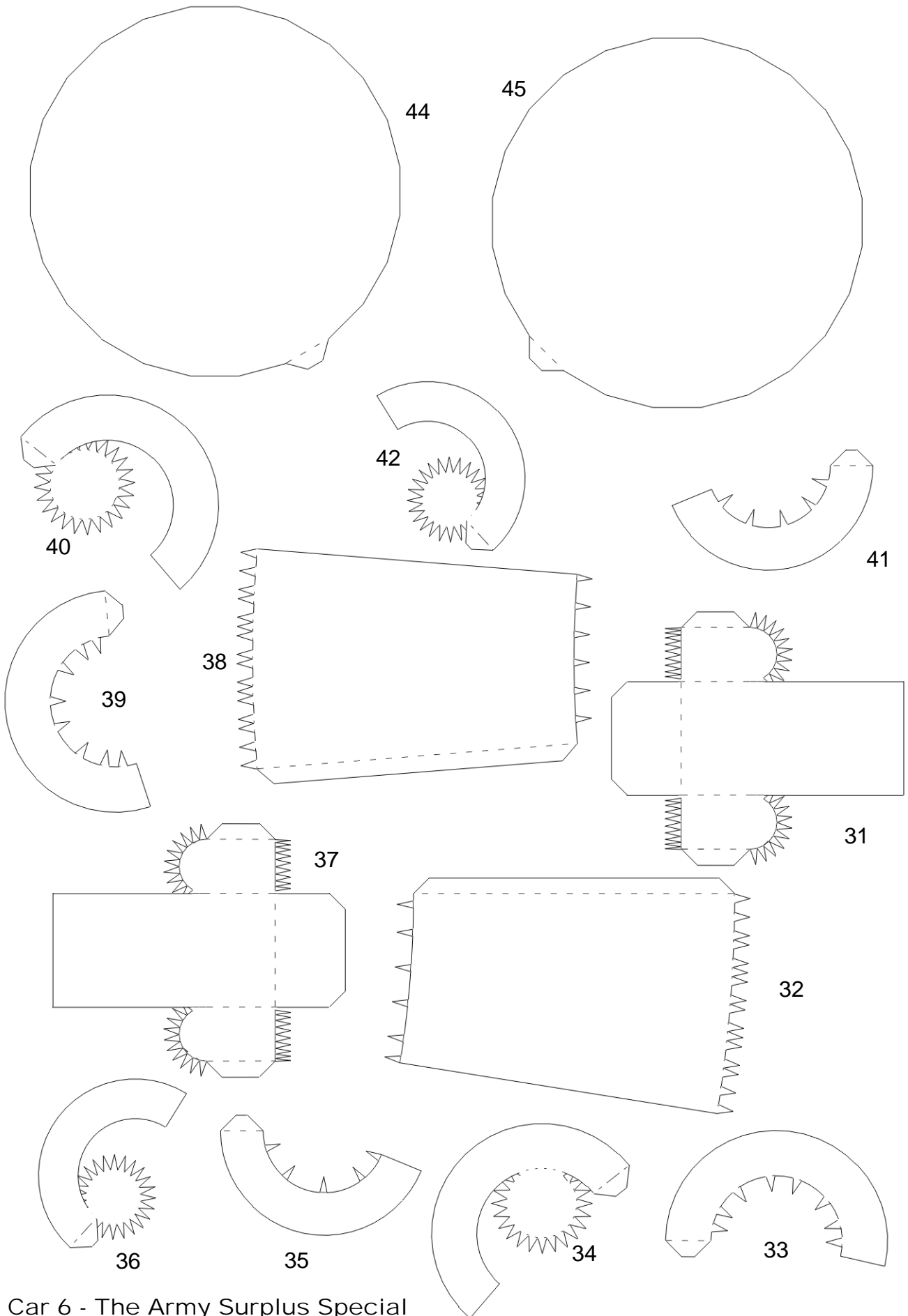
3

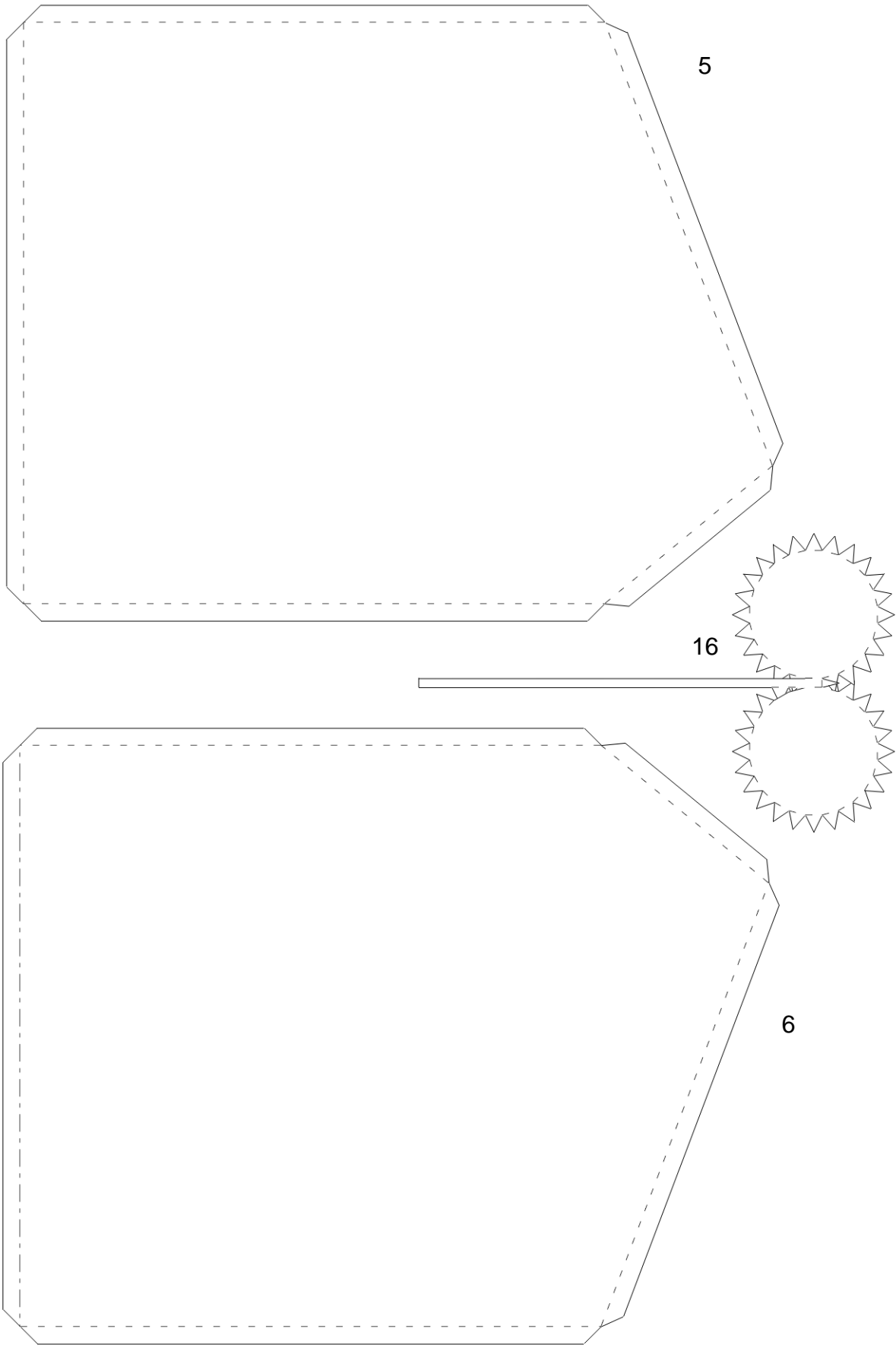


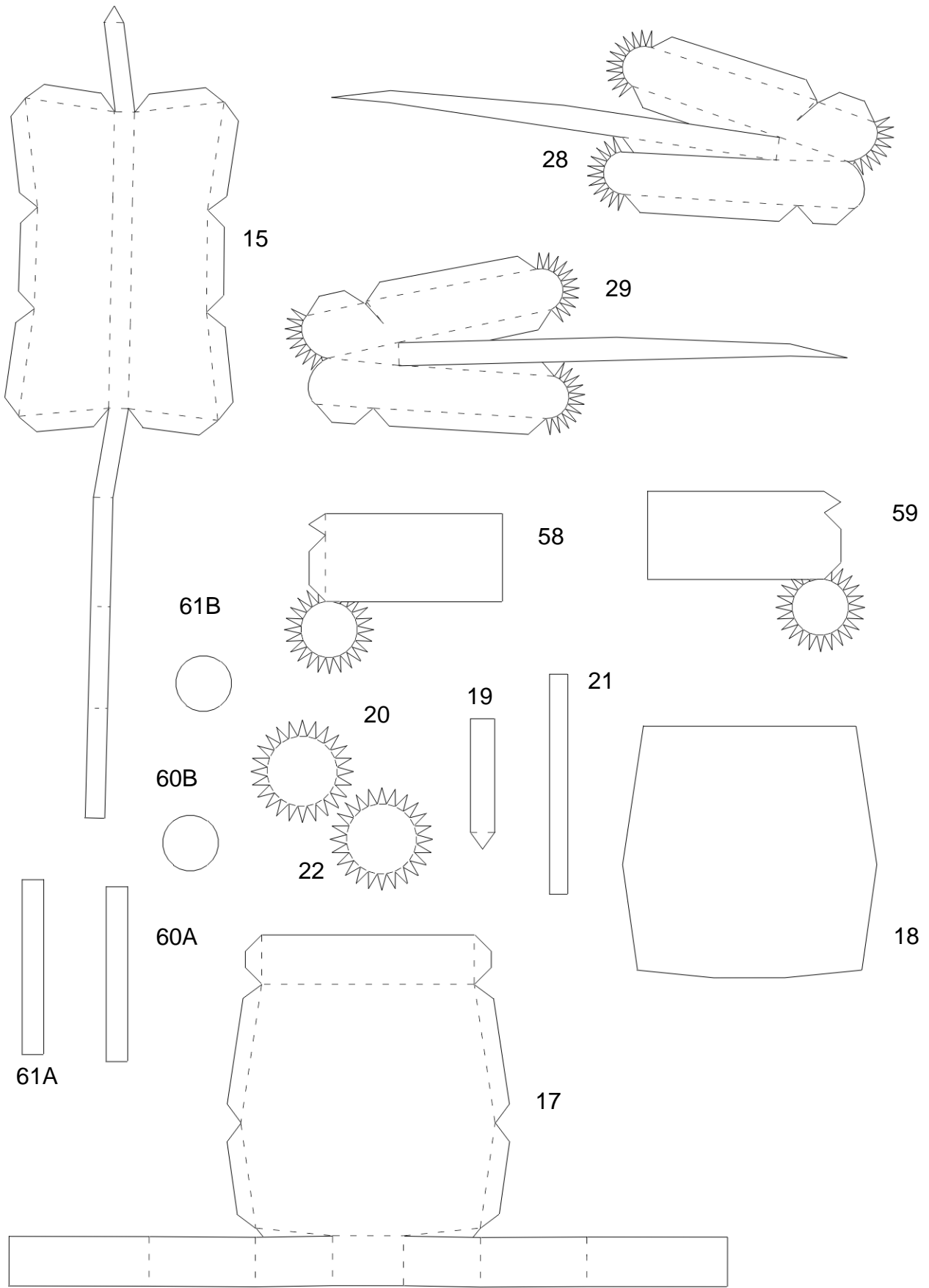
4

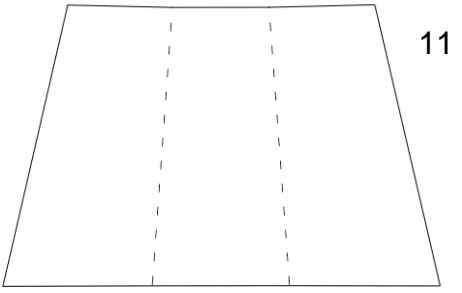
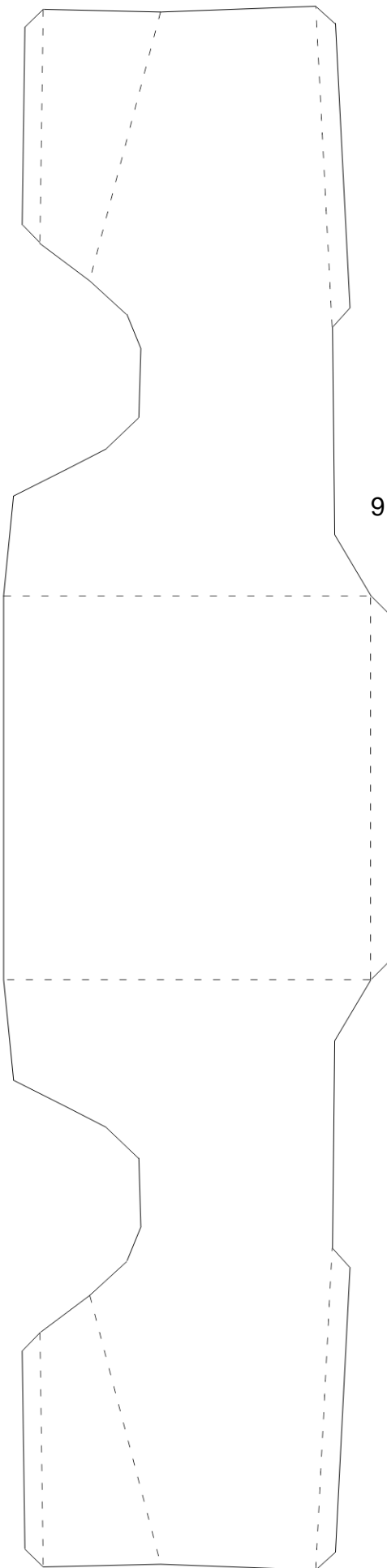
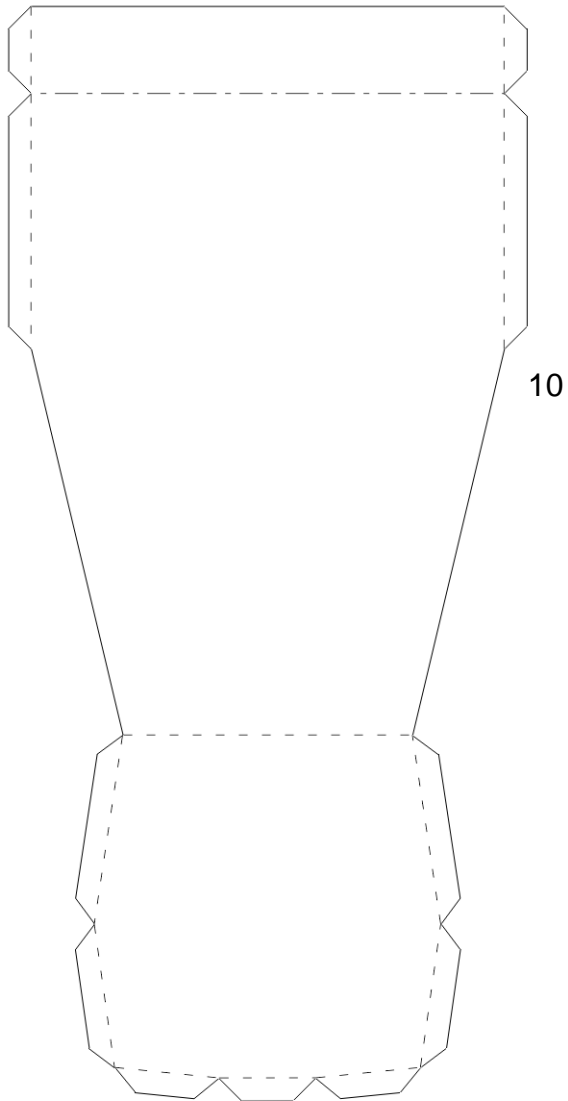


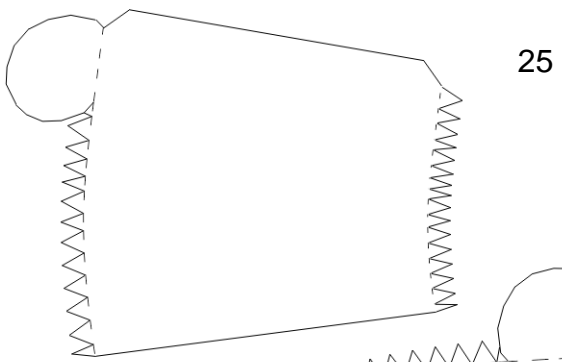
43





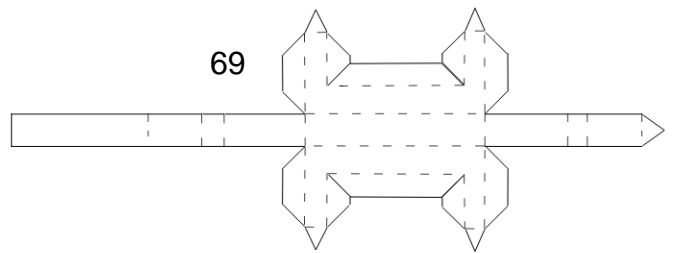
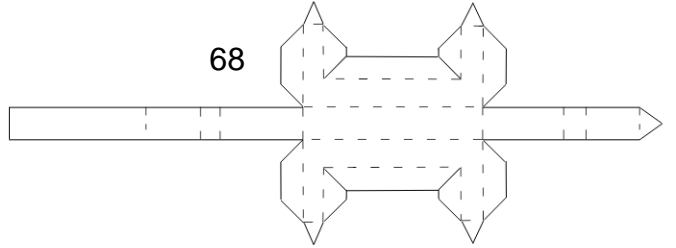
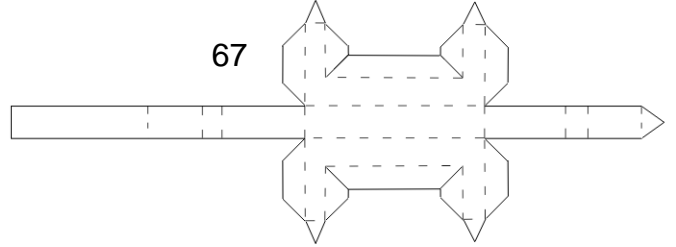
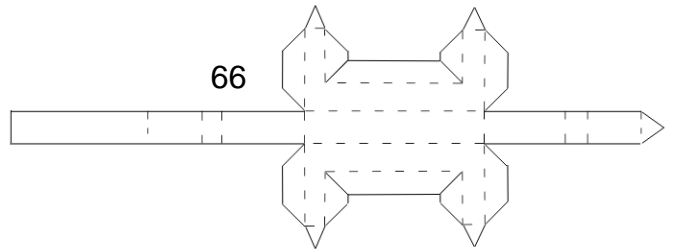
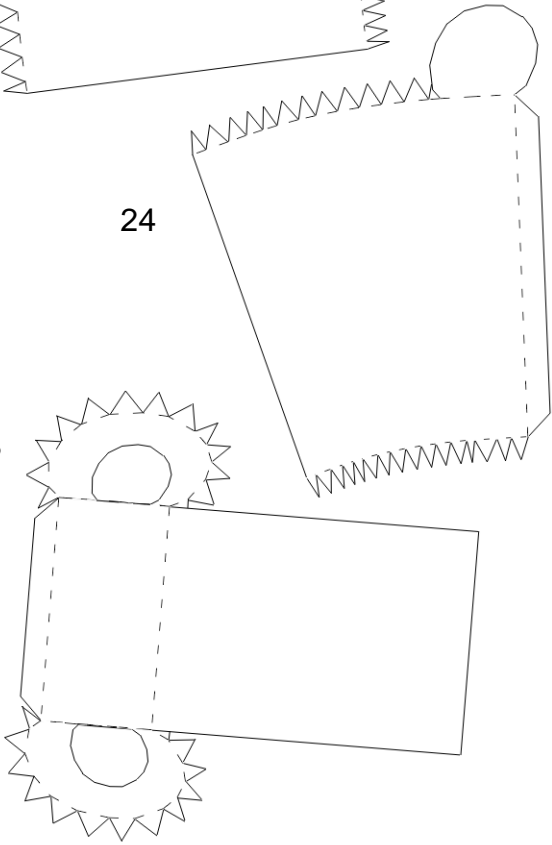




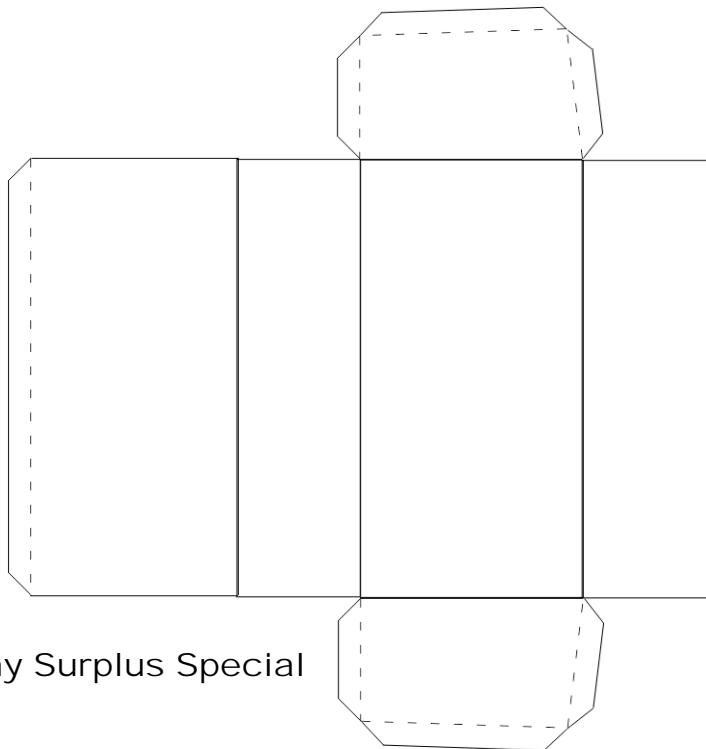


24

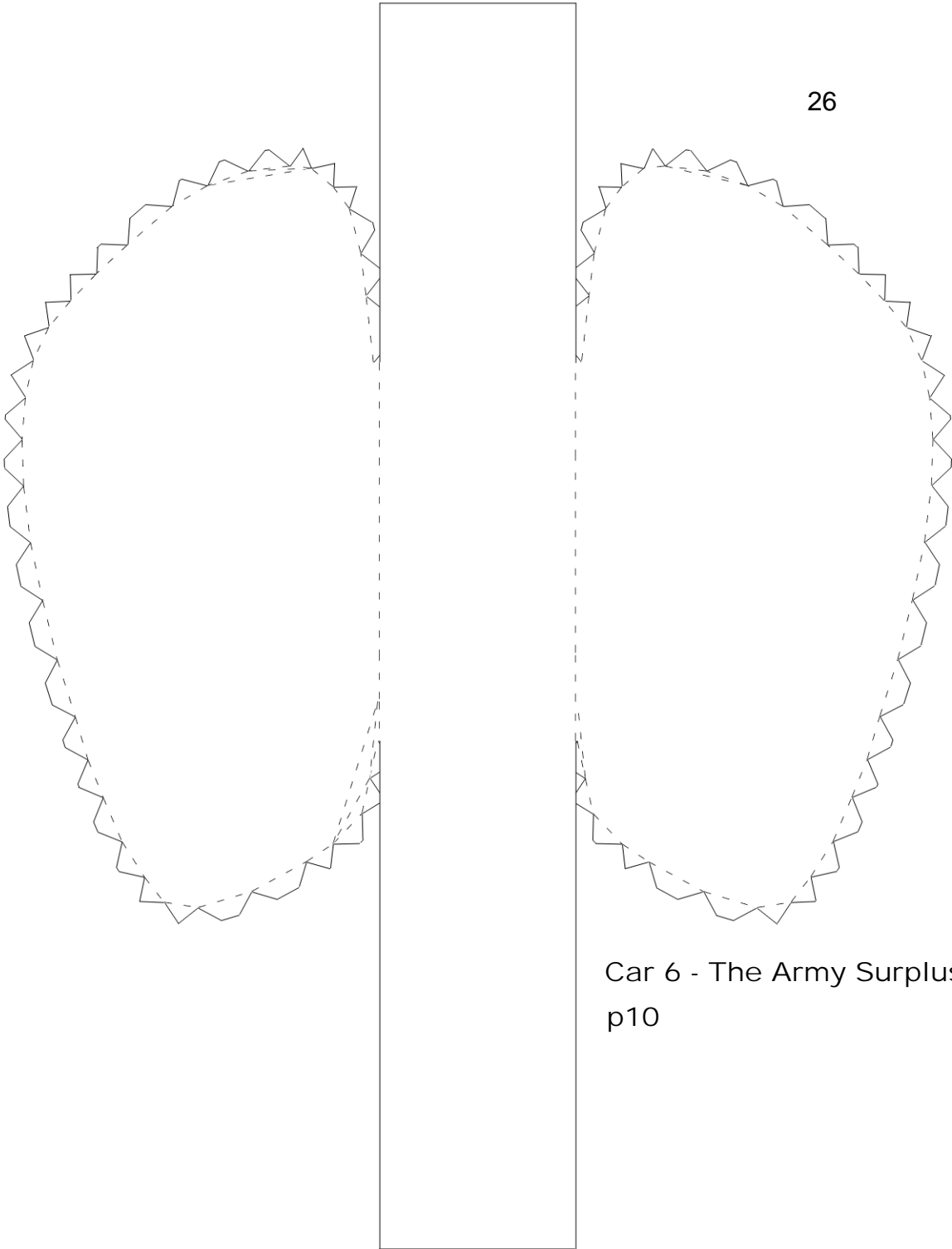
23



8A



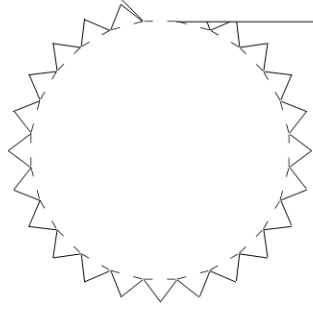
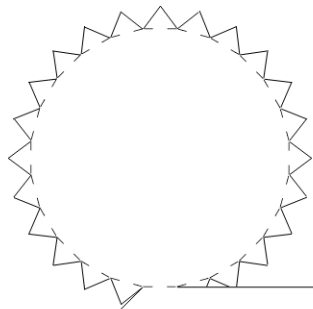
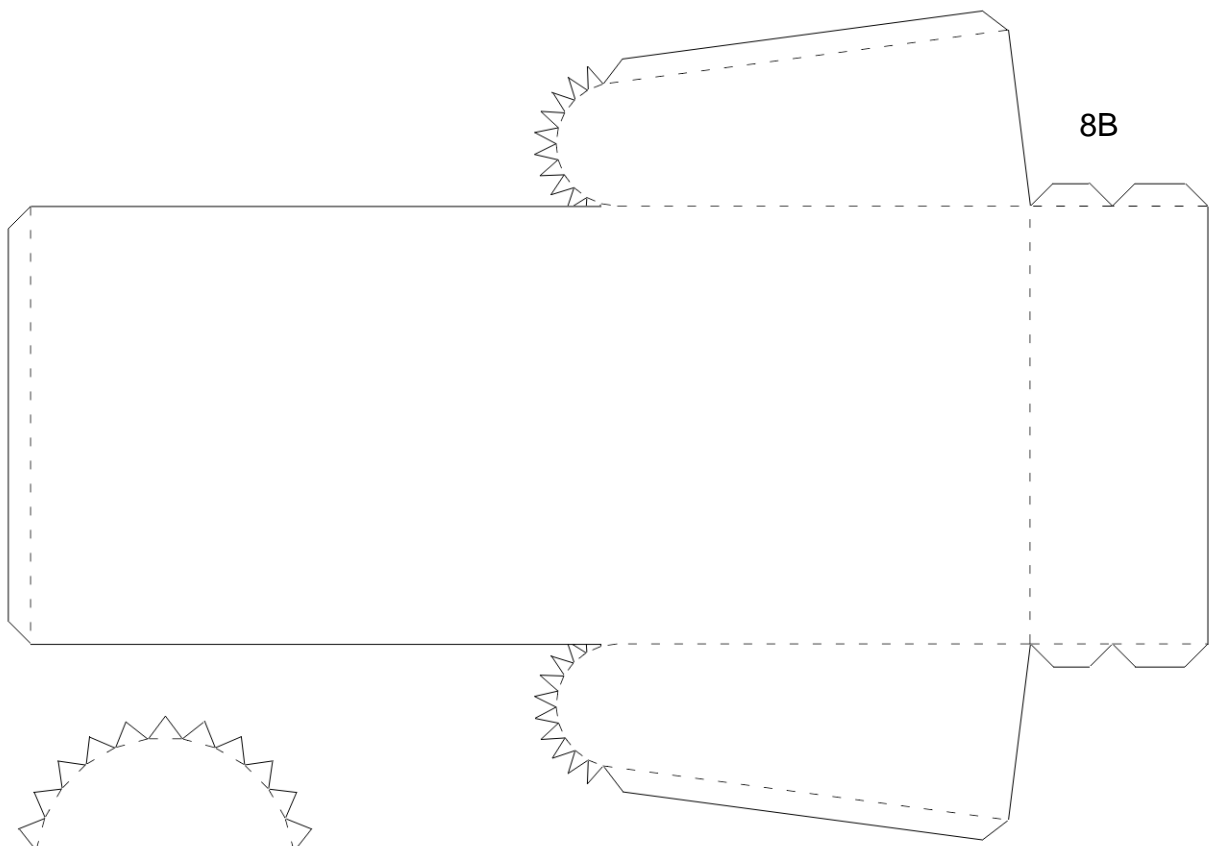
26



Car 6 - The Army Surplus Special
p10

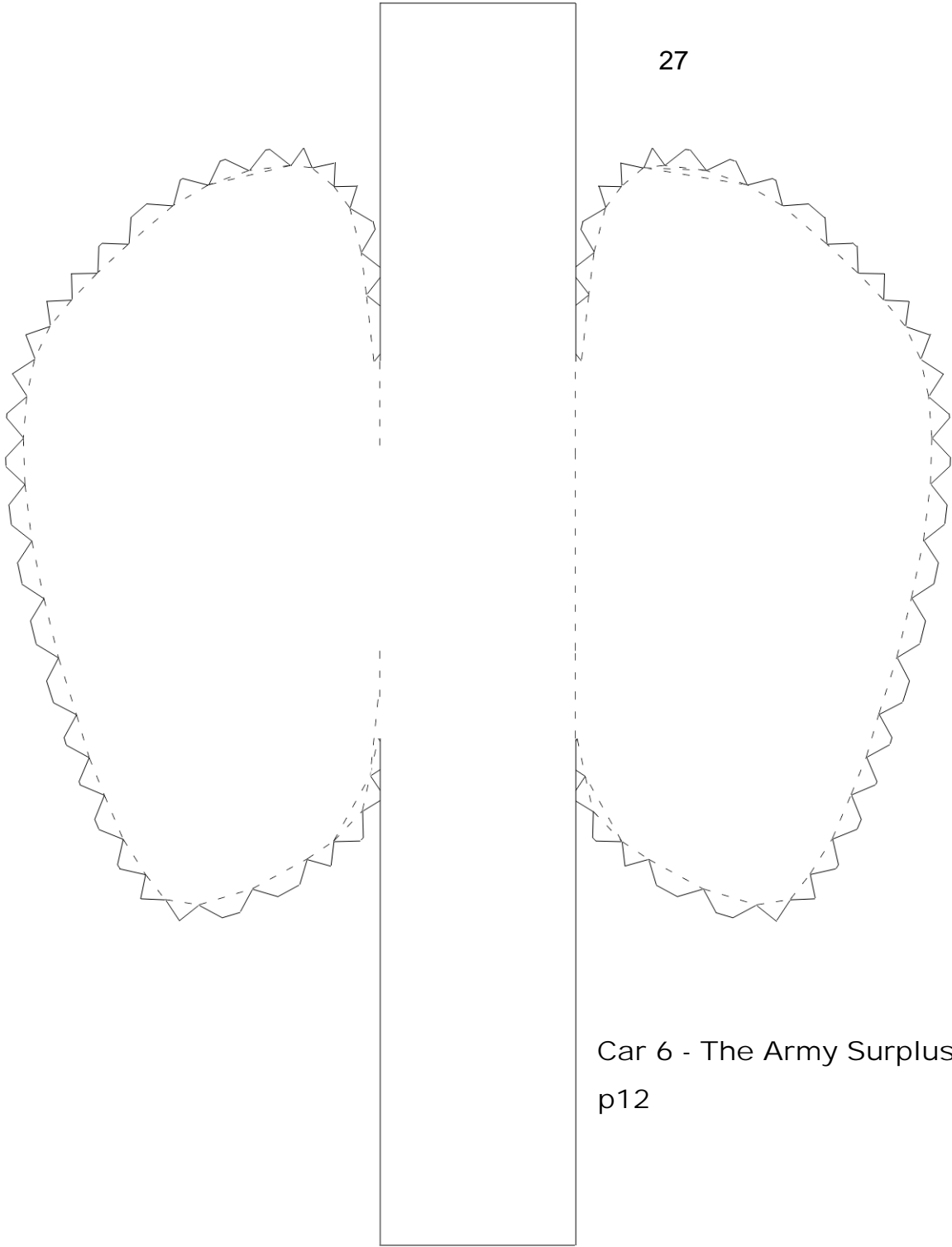


26A



Insert Appx 6-10gm weight inside this piece!

27



Car 6 - The Army Surplus Special
p12



27A